

Ergonomic work tables

Smart storage solutions to make the most of your workspace

Meet the demands of modern medicine with our smart storage solutions. Our ergonomic worktables are adjustable in height, can carry heavy loads and can be customised to ensure a perfect fit. Let's make the most of the space that you have.

ITEM NUMBER 2620604



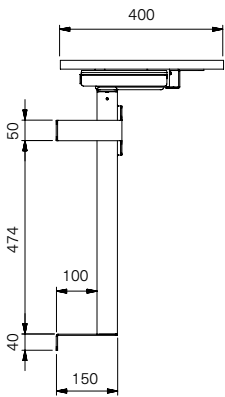
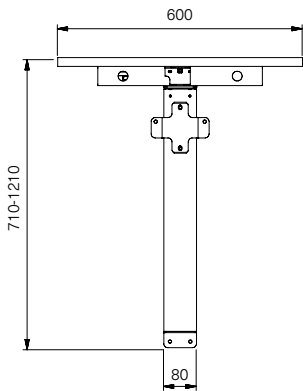
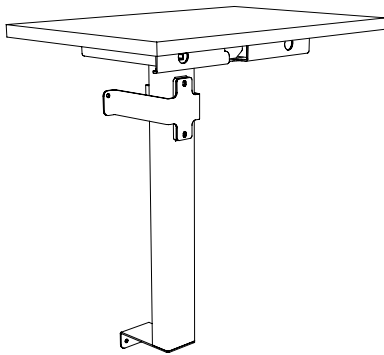
SCANMODUL™
MEDI-MATH



ITEM NUMBER 2620609

Max. length	400-650mm
Max. width	600-900mm
Max. height	690-1190mm
Max. weight	80kg
Colour	Hvid RAL 9016

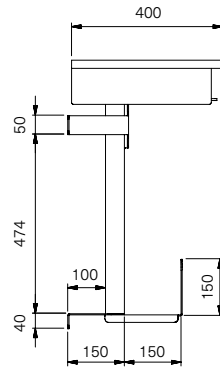
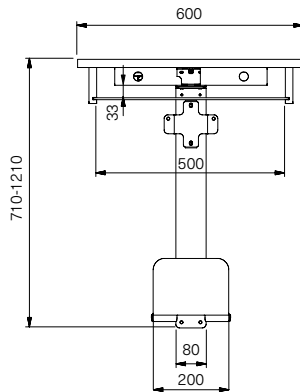
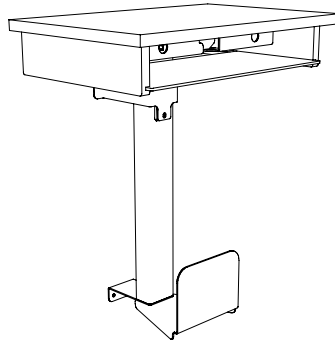
This ergonomic worktable is specifically designed for the use of laptops. There's room between the bars and the walls, which allows space for electricity cables and sockets. The height can be adjusted up to a maximum of 500mm, making it convenient for users of any height.



ITEM NUMBER 2620619

Max. length	400-650mm
Max. width	600-900mm
Max. height	690-1190mm
Max. weight	80kg
Colour	Hvid RAL 9016

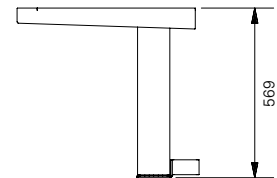
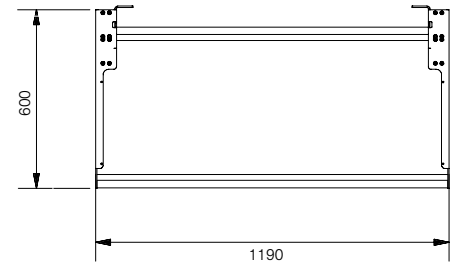
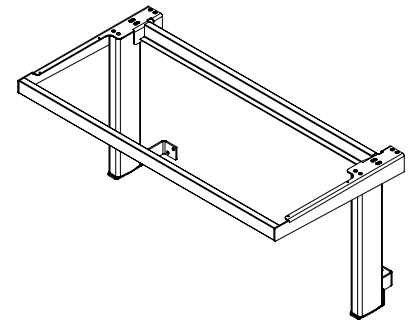
The design of this worktable allows for convenient use of desktop computers. There's a dedicated space for the keyboard underneath the tabletop, and the lower bar gives support to the computer case. It can lift up to 80kg's and is adjustable in height.



ITEM NUMBER 2620604

Max. length	625-1255mm
Max. width	900-2400mm
Max. height	450-900mm
Max. weight	125kg
Colour	Hvid RAL 9016

This ergonomic working table was built to support a heavier workload. With its double-barrels it can carry up to 125kg.



Find out what we can do for you and contact us for a free consultation or additional information.

HEADQUARTER
+31 30 6 345 345
info-nl@scanmodul.com

INTERNATIONAL
+49 173 2398383
info-global@scanmodul.com

NORDICS
+45 97 52 35 33
info-dk@scanmodul.com
info-se@scanmodul.com
info-no@scanmodul.com



SCANMODUL.COM